

# FILTERMAX DISK

(Ref.723713)

## DESCRIPTION

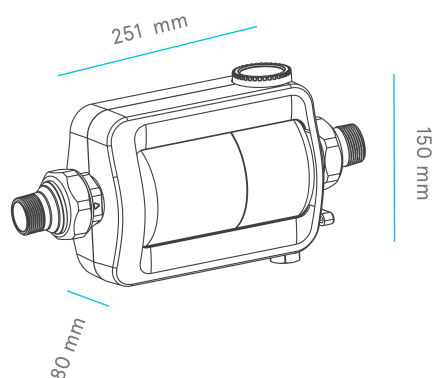
Rotating system that prevents the formation and proliferation of algae and colloids. With a two-stage filtration system and stackable discs (70-100 µm) and metal mesh (40 µm). It has an inner plastic coating to prevent the transmission of heavy metals. Filter made of BPA-free materials.

Mitigates water hammer that could affect the installation. Pressure gauge as a pressure reference. Cleaning valve with QC 3/8" quick connector connection.



## SPECIFICATIONS

INPUT CONNECTION	3/4"
OUTPUT CONNECTION	3/4"
PRESSURE MIN/ MAX.	1,5 BAR-10 BAR
FLOW	3 m <sup>3</sup> /h
TEMPERATURE RANGE	5°C ~ 38°C



ACCREDITED BY ENAC  
Certif. nº 34/5200/14/0712



WLG (B-60326279), is member of the Water Quality Association.

The trading of water treatment and household appliances as well as designing and teaching of non-official training courses related with its technology are certified and comply with the UNE-ISO-9001 far WLG (B-60326279).

WLG (B-60326279) is an Aqua España member, who belongs Aqua Europa (Federation of European nation associations).

WLG (B-60326279), has the rights granted for Authorized Economic Operator with number ESAEOF18000008U6 and 13/02/2018 as a date of entry of the authorization.